

CABLE 359 RF: HIROSE U.FL PLUG + BNC STRAIGHT BULKHEAD JACK WITH O-RING RATED TO IP67/68 + 1.32MM DUAL SHIELD CABLE

SPECIFICATIONS:

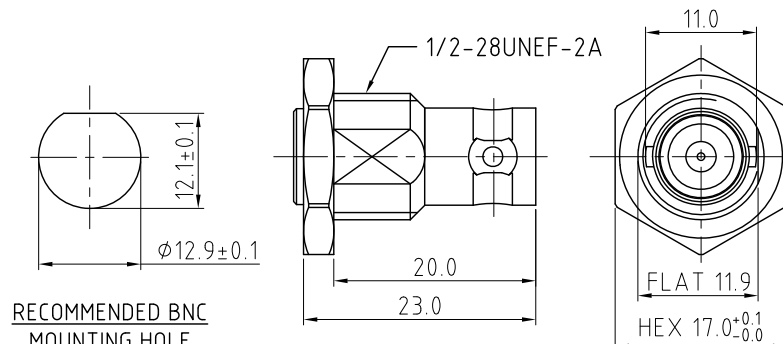
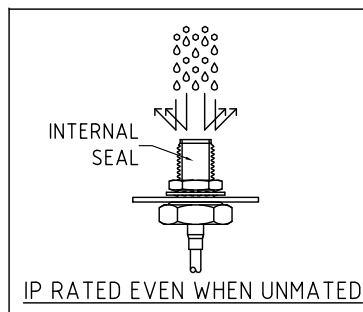
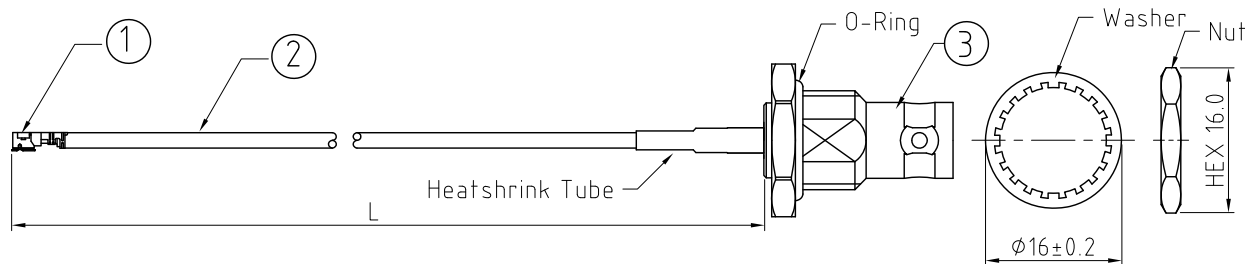
1. HIROSE U.FL PLUG, P/N: U.FL-LP-066.
2. ϕ 1.32MM DUAL SHIELD COAXIAL CABLE, COLOR: GRAY.
3. BNC STRAIGHT BULKHEAD JACK WITH O-RING RATED TO IP67/68, P/N: RFCT-BNC006-F78.

ENVIRONMENTAL:

- A. BULKHEAD MOUNTED CONNECTOR (RFCT-BNC006-F78) TESTED TO THE FOLLOWING SPECIFICATION:
- i. IP6X - DUST TIGHT - NO PARTICLE INGRESS.
 - ii. IPX7 WATERPROOF FOR 30 MINUTES UP TO 1 METER UNDERWATER.
 - iii. IPX8 WATERPROOF FOR 48 HOURS AT 1 METER UNDERWATER.
 - iv. IPX8 WATERPROOF FOR 12 HOURS AT 5 METERS UNDERWATER.
 - v. PRESSURE TEST - 1 BAR FOR 10 SECONDS.

NOTES:

1. THE ORIENTATION OF CONNECTORS ON DRAWING IS FOR REFERENCE ONLY, IF THE ORDER IS LEFT BLANK THE CONNECTOR WILL NOT HAVE FIXED ORIENTATION.
2. FIXED ORIENTATION IS SUGGESTED FOR CABLE LENGTH 25MM TO 100MM. PLEASE SPECIFY THE FIXED ORIENTATIONS FROM THE ORDER CODE (F1, F2, ETC)
3. CONTACT GRAD CONN IF THE ORIENTATION YOU REQUIRE IS NOT SHOWN.
4. WORKING FREQUENCY RANGE: DC-3GHz.
5. OPERATING TEMPERATURE: -40°C TO +90°C.
6. IMPEDANCE: 50 OHM



BNC DETAIL DRAWING

HOW TO ORDER

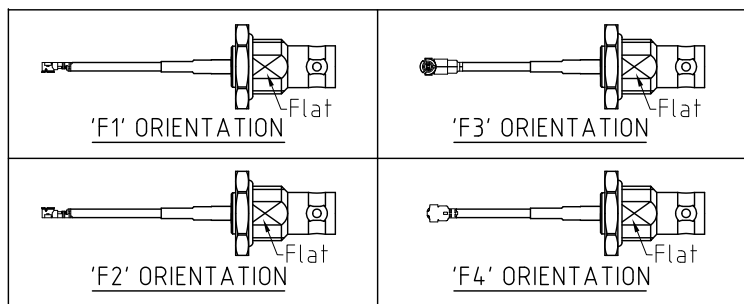
CABLE 359 RF - XXXX - XX - X - 1

"L" LENGTH IN MM
 eg: 100MM = 0100
 (MIN. = 0050, MAX. = 2000, STANDARD = 0100, 0150, 0200)
 Tolerance: 50-200mm: \pm 5mm.
 201-500mm: \pm 7mm.
 >500mm: \pm 10mm.

CABLE SIZE:
 1 = ϕ 1.32MM DS CABLE, COLOR: GRAY

O-RING, WASHER AND NUT OPTIONS:
 BLANK = SEPARATELY PACKED (STANDARD)
 A = ASSEMBLED WITH CONNECTOR

ORIENTATION OPTIONS:
 BLANK = DOES NOT HAVE A FIXED ORIENTATION
 F1 = U.FL CONNECTION DOWN (L=25-200MM)
 F2 = U.FL CONNECTION UP (L=25-200MM)
 F3 = U.FL CONNECTION SAME AS BNC D-FLAT (L=25-200MM)
 F4 = U.FL CONNECTION OPPOSITE TO BNC D-FLAT (L=25-200MM)
 (SEE NOTES 1, 2, 3 AND DIAGRAMS FOR MORE INFORMATION)



Scale: NTS	THIRD ANGLE	Unstated .X .XX .XXX ANGLES	Tolerances: N/A N/A N/A N/A
Drawn: CC			
App'd: XXX	Title CABLE ASSEMBLY		
Date: 24 MAR. '24	Revision: 1.1	Unit: mm	



IP Rated RF Products



www.gradconn.com

THIS DRAWING IS CONFIDENTIAL AND MUST NOT BE COPIED OR DISCLOSED WITHOUT WRITTEN CONSENT

Type: Cable 359 RF
CABLE 359 RF
Drawing Number:
Sheet 1 of 1
Drawing © E and O E

REV. DATE & DRN
 TO 22/10/19 - INTX RELEASE
 11/24/03/24 - CC
 ADD IP RATING VIEW